

**LOCK SWITCH**

**SRL90**

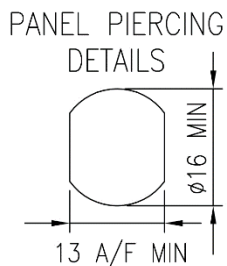
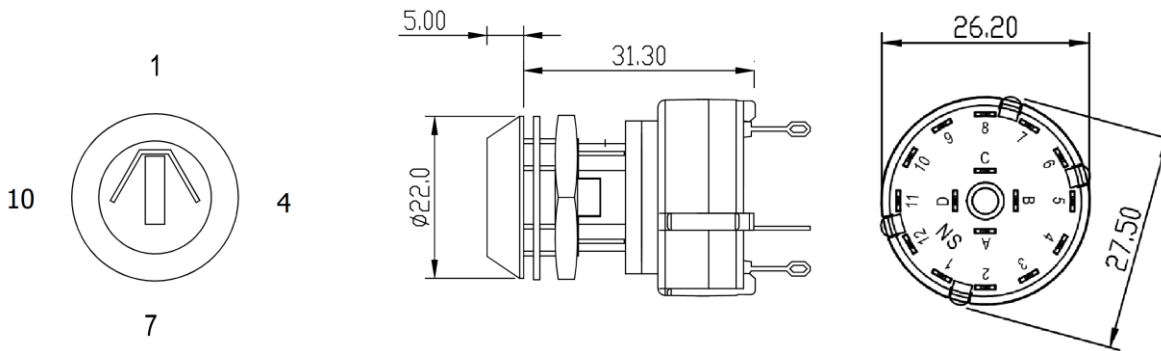
**SRL90 LOCK SWITCH**

**ELECTRICAL & MECHANICAL SPECIFICATION**

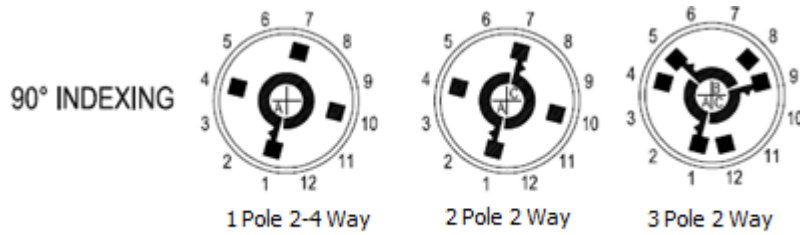
<b>Switch Rating:</b>	150mA @250V ac/dc.	<b>Life:</b>	>10,000 Cycles
(Resistive load)	1A @24V dc	<b>Operating Temperature:</b>	-30°C to +85°C
<b>Proof Voltage:</b>	1500 Vac (Initial)	<b>Lock Type:</b>	5 Disc
<b>Insulation Resistance:</b>	>999MΩ @ 500V dc (Initial)	<b>Lock Housing:</b>	Zinc Alloy Bright Cr Plated
<b>Contact Resistance:</b>	<20mΩ (Initial)	<b>Wafer Material:</b>	Polyamide 6.6 G>F. V0 Rated
<b>Contact Material:</b>	Brass CZ108, Ag Plated	<b>Housing Material:</b>	Polycarbonate

**FEATURES**

- Single wafer switch
- One - three poles
- Max panel thickness 4.5mm
- Made In UK
- 2 keys per switch - Up to 200 differ key combinations available
- Keys are double entry (can be inserted into lock either way up)
- Key removable at 90° positions
- Contacts: Non shorting BBM
- Gold flashed or gold plate contacts available
- Solder or PCB terminals
- Two stage assembly: Lock through front, module snaps on from rear

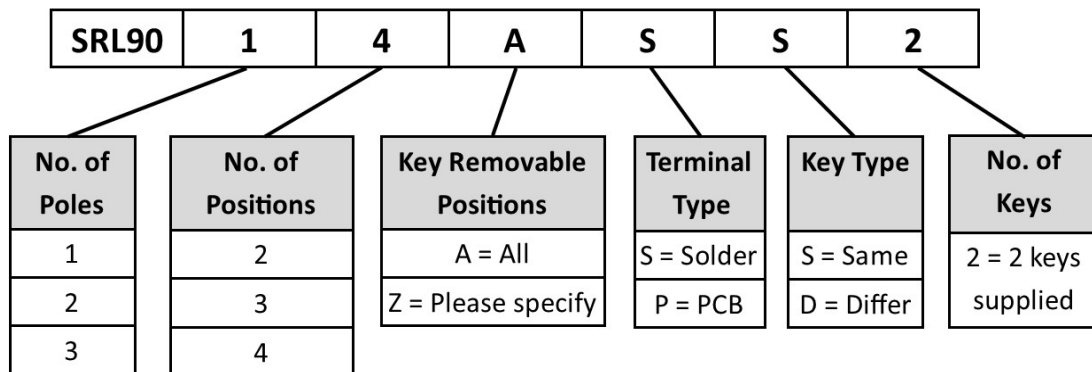


## SRL90 LOCK SWITCH INDEXING



(Viewed from front)

## SRL90 ORDERING CODE



Gold or Gold flash contacts available on request.

Add suffix G (gold) or GF (gold flash) to end of part number

